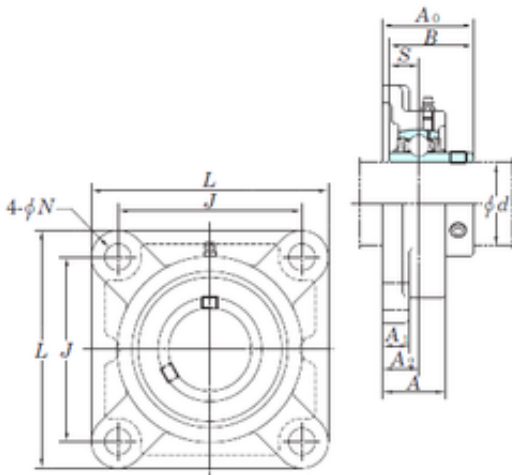




Bearing Driveshaft do Brasil

KOYO UCFX17E bearing units

Bearing No. UCFX17E



UCFX17E Bearing 2D drawings and 3D CAD models

Bore Diameter	85 mm
d	85 mm
A0	96,3 mm
A	70 mm
A1	24 mm
B	96 mm
J	171 mm
L	214 mm
N	20 mm
S	39,7 mm
Bolt (G)	11/16
A2	40 mm
Weight	10,8 Kg
Basic dynamic load rating (C)	96,1 kN
Basic static load rating (C0)	71,5 kN